

# Care and Maintenance

**INKJET PRINTER**  
**TX330-1800**

## Requests for Care and Maintenance

You can also download the latest manual from official website.

**MIMAKI ENGINEERING CO., LTD.**

<https://mimaki.com/>

D203880-10  
Original instructions

# TABLE OF CONTENTS

---

Introduction .....	3
To Ensure Safe Use .....	4
Symbols .....	4

## Maintenance

1. Maintenance Precautions .....	6
2. Maintenance Methods .....	7
Maintenance Items and Timing .....	7
Ink Maintenance .....	8
Cap Rubber Cleaning .....	8
Carriage Underside Cleaning .....	9
Wiper Cleaning .....	10
NCU Cleaning .....	12
DAS (Automatic Correction Function) Sensor Cleaning .....	13
Ink-Receiving Pan Spacer Cleaning .....	14
Ink Slope Cleaning .....	15
Ink Discharge Channel Cleaning .....	15
Media Sensor Cleaning .....	16
Media Holder and Cloth Holder Cleaning .....	17
Jam Sensor Detecting Plate Cleaning .....	18
Platen and Platen Wire Cleaning .....	19
Pinch Roller and Grit Roller Cleaning .....	19
Tension Roller Cleaning .....	20
Cover (Exterior) Cleaning .....	21
When this Printer is Left Unused for a Long Time .....	21
3. Replacement of Consumable Item .....	24
Consumable Item Replacement Timing .....	24
Wiper Replacement .....	25
Wiper Cleaner Replacement .....	26
Cap Replacement .....	28
Replacing the Absorber Around the Station .....	30
Exhaust Fan Filter Replacement .....	32
Blowing Fan Filter Replacement .....	32
Pinch Roller Replacement .....	33
Media Holder and Cloth Holder Replacement .....	35
Ink Supply Unit Ink Absorber Replacement .....	39
Waste Ink Tank Replacement .....	40

# Introduction

Thank you for purchasing the Inkjet printer Tx330-1800.

Read the Request for Care and Maintenance ("this document" hereinafter) thoroughly and make sure you understand its contents to ensure safe and correct use of the product.

Please note that the illustrations contained in this manual are intended to show functions, procedures, or operations and may sometimes differ slightly from the actual machine.

Unauthorized reproduction of any portion of this document is strictly prohibited.

© 2025 MIMAKI ENGINEERING Co., Ltd.










## ● DISCLAIMERS

- MIMAKI ENGINEERING REJECTS ALL LIABILITY FOR DAMAGE ARISING DIRECTLY OR INDIRECTLY FROM THE USE OF THE Tx330-1800 ("THIS MACHINE" HEREINAFTER), WHETHER OR NOT THE PRODUCT IS FAULTY.
- MIMAKI ENGINEERING REJECTS ALL LIABILITY FOR DAMAGE, DIRECT OR INDIRECT, TO MATERIALS CREATED WHILE USING THIS MACHINE.
- USING THIS MACHINE IN CONJUNCTION WITH DEVICES OTHER THAN THOSE RECOMMENDED BY MIMAKI ENGINEERING MAY RESULT IN FIRE OR ACCIDENTS. SUCH INCIDENTS ARE NOT COVERED BY THE PRODUCT WARRANTY. MIMAKI ENGINEERING REJECTS ALL LIABILITY FOR DAMAGE, DIRECT OR INDIRECT, ARISING FROM SUCH INCIDENTS.
- USE ONLY GENUINE MIMAKI ENGINEERING INK AND MAINTENANCE LIQUID. USE OF OTHER PRODUCTS MAY RESULT IN FAILURES OR REDUCE PRINT QUALITY. SUCH INCIDENTS ARE NOT COVERED BY THE PRODUCT WARRANTY. MIMAKI ENGINEERING REJECTS ALL LIABILITY FOR DAMAGE, DIRECT OR INDIRECT, ARISING FROM SUCH INCIDENTS.
- DO NOT ATTEMPT TO REFILL THE INK PACKS WITH UNAUTHORIZED INK. SUCH INCIDENTS ARE NOT COVERED BY THE PRODUCT WARRANTY. MIMAKI ENGINEERING REJECTS ALL LIABILITY FOR DAMAGE, DIRECT OR INDIRECT, ARISING FROM SUCH INCIDENTS.

# To Ensure Safe Use

## Symbols

In this manual, symbols indicate and explain precautions. Make sure you fully understand the meaning of each symbol and use the machine safely and correctly.

Explanation		
 <b>WARNING</b>	Warning	Indicates a potential hazard that may result in death or serious injury if handled improperly or if instructions are disregarded.
 <b>CAUTION</b>	Caution	Indicates a potential hazard that may result in minor or moderate injury if handled improperly or if instructions are disregarded.
 <b>NOTICE</b>	Notice	Indicates a potential hazard that may result in property damage if handled improperly or if instructions are disregarded.
	Warning sign	Indicates something that requires attention. Warning specifics are drawn inside the symbol.
	Mandatory action sign	Indicates an action that must be carried out. The specifics of the mandatory action are drawn inside the symbol.
	Prohibition sign	Indicates a prohibited action. The specifics of the prohibited action are drawn inside the symbol.
 <b>Important!</b>	Important	Indicates important information related to use of this machine.
	Tip	Indicates useful reference information.
	Reference information	Indicates the corresponding page for related information.

# Maintenance

To ensure years of precise performance, maintain the machine periodically based on frequency of use. Read the maintenance precautions thoroughly before maintaining this product.

# 1. Maintenance Precautions



- This machine includes parts that must be replaced periodically. We therefore recommend taking out a maintenance contract. Carry out maintenance periodically and replace consumable items to prevent quality defects and accidents.

## ⚠ WARNING



- Clean periodically. Debris and dust will accumulate on electrical components when the machine is used for extended periods. There is a risk of failure, electric shock, or fire due to current leakage.
- Do not clean by blowing—e.g., avoid using air blowers. Doing so may lead to failure, electric shock, or fire involving the machine if airborne debris or dust gets inside electrical components. Wipe using a soft cloth soaked in diluted neutral detergent and thoroughly wrung out. A vacuum cleaner may also be used for cleaning.



- Be careful to prevent liquids from getting inside the machine. Otherwise there is a risk of failure, electric shock, or fire.

## ⚠ CAUTION



- For heavy soiling, wipe using a soft cloth soaked in diluted neutral detergent and thoroughly wrung out.



- Pay close attention to ventilation and be sure to wear safety glasses, gloves, and a mask when handling ink, maintenance liquid, waste ink, or other solutions used with the machine. Leaking ink may adhere to the skin or get into the eyes or mouth.



## NOTICE



- Never touch the print head nozzle surface. Do not allow water or alcohol to come into contact with the print nozzle surface. This will increase the risk of machine failure or ejection failures (e.g., nozzle clogging or deflection).
- Do not use cotton swabs to clean around the head or carriage. Fibers from cotton swabs may adhere to the head nozzle surface and lead to ejection failures (e.g., nozzle clogging or deflection).
- Do not splash ink or maintenance liquid on the covers. Exposure to splashing ink or maintenance liquid may damage or deform the cover.
- Do not use benzine, thinner, or any chemical agent containing abrasives. Use of these chemicals may result in damage to or deformation of parts.
- Do not use organic solvents such as acetone and IPA. Doing so may damage the machine.
- Do not move the carriage by hand. To move the carriage, use the carriage out function on the menu.

## 2. Maintenance Methods

### Maintenance Items and Timing

Timing	Item
Every day after work	Clean around the wiper. <a href="#">"Wiper Cleaning"(P. 10)</a>
Every three days, at the start of the work	Shake the ink. <a href="#">"Ink Maintenance"(P. 8)</a>
Every three days after work	Dispose of ink in the waste ink tank in the lower left of the machine.
At the end of the week's work	Clean the cap rubber. <a href="#">"Cap Rubber Cleaning"(P. 8)</a>
	Clean the underside of the carriage. <a href="#">"Carriage Underside Cleaning"(P. 9)</a>
	Check the waste ink levels in the waste ink tank. <a href="#">"When "Check Waste Ink Tank" message appears"(P. 40)</a>
	Clean the ink discharge channel. <a href="#">"Ink Discharge Channel Cleaning"(P. 15)</a>
At the end of two weeks' work	Clean the blowing fan filter.
When the media is replaced	Clean the ink-receiving pan spacers. <a href="#">"Ink-Receiving Pan Spacer Cleaning"(P. 14)</a>
	Clean the tension roller. <a href="#">"Tension Roller Cleaning"(P. 20)</a>
	Clean the ink slope. <a href="#">"Ink Slope Cleaning"(P. 15)</a>
Every month	Clean the NCU. <a href="#">"NCU Cleaning"(P. 12)</a>
	Clean the DAS sensor. <a href="#">"DAS (Automatic Correction Function) Sensor Cleaning"(P. 13)</a>
	Clean the media sensor. <a href="#">"Media Sensor Cleaning"(P. 16)</a>
	Clean the media holders and cloth holders. <a href="#">"Media Holder and Cloth Holder Cleaning"(P. 17)</a>
	Clean the jam sensor detecting plate. <a href="#">"Jam Sensor Detecting Plate Cleaning"(P. 18)</a>
	Clean the platen. <a href="#">"Platen and Platen Wire Cleaning"(P. 19)</a>
	Clean the pinch rollers and grit rollers. <a href="#">"Pinch Roller and Grit Roller Cleaning"(P. 19)</a>
	Clean the cover (exterior). <a href="#">"Cover (Exterior) Cleaning"(P. 21)</a>
When not used for more than a week	Clean the cap and wash the ink discharge channels. After cleaning, store without turning off the main power supply. <a href="#">"When this Printer is Left Unused for a Long Time"(P. 21)</a>

### Items Required for Maintenance

To order replacement consumable items, contact your local dealer or our service office. For more information on consumable items, refer to our website (<https://mimaki.com/supply/inkjet.html>).



- Do not store consumable items in locations where children may enter.

### Ink Maintenance

If ink constituents are sedimented, the ink density may become uneven. We recommend shaking the ink periodically to keep printing consistent.

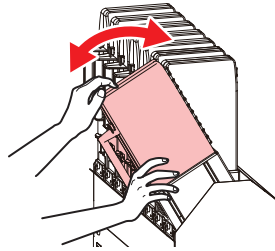
Once every three days.

**Important!**

- **Shake taking care that the ink eco-cases do not become detached** from the ink supply unit. Ink may leak out if the ink eco-cases become detached.

#### 1 Shake the ink eco-cases slowly approximately 10 times.

- Shake the ink eco-cases back and forth while holding the top.



- Be sure to shake the ink eco-case back and forth by holding its top. Ink may leak out if the top is not held and the ink eco-cases become detached.

### Cap Rubber Cleaning

The cap prevents the print head nozzle surface from drying out. Continuing to use a dirty cap may affect ink take-up and lead to ejection failures (such as nozzle clogging or deflection).



- Be careful to avoid leaving fragments from the cleaning stick behind when cleaning. These fragments will increase the risk of ejection failures (e.g., nozzle clogging or deflection).

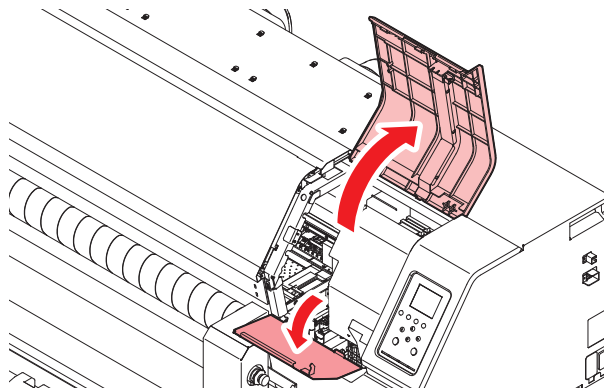
#### 1 On the LOCAL mode screen, select [MENU] > [Maintenance], then press the [ENTER] key.

- The Maintenance menu is displayed.

#### 2 Select [Station Maint.] > [Carriage Out] > [Move To Platen Right End], then press the [ENTER] key.

- The carriage moves over the platen.

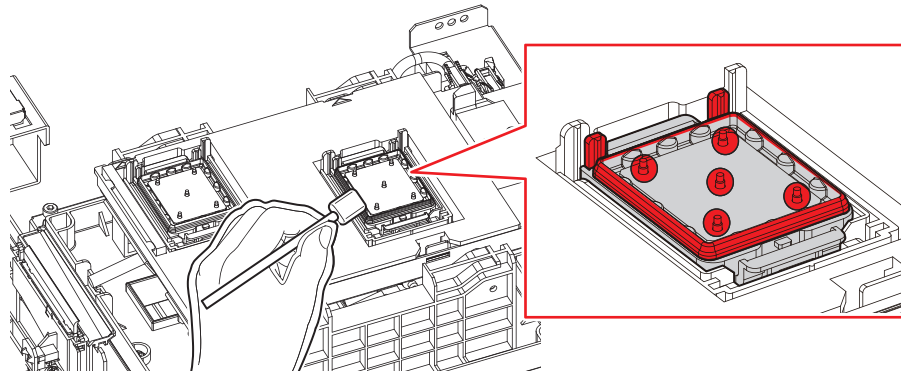
#### 3 Open the maintenance cover on the right side.





#### 4 Clean the cap rubber.

- Wipe off any ink and dust adhering using a cleaning stick moistened with maintenance liquid. Wipe off the maintenance liquid. Make sure none remains.
- Clean the areas indicated in red in the diagram (the entire interior and exterior of the cap rubber, the tabs, and the mesh retainers).



#### 5 Close the maintenance cover, then press the [ENTER] key.

### Carriage Underside Cleaning

The underside of the carriage becomes coated with ink wiped off by the wiper. Continuing to use the dirty carriage underside will rub dried ink and attached dust on to the media, resulting in contaminated prints.

The print head uses an extremely delicate mechanism. Take great care when handling it.



- Be careful to avoid leaving fragments from the cleaning stick behind when cleaning. These fragments will increase the risk of ejection failures (e.g., nozzle clogging or deflection).

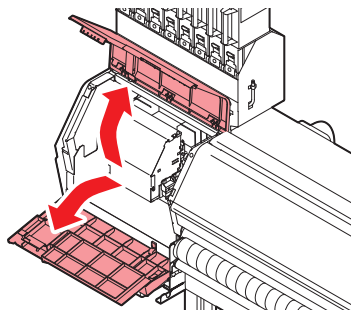
#### 1 On the LOCAL mode screen, select [MENU] > [Maintenance], then press the [ENTER] key.

- The Maintenance menu is displayed.

#### 2 Select [Station Maint.] > [Carriage Out] > [Move To Maint. Space], then press the [ENTER] key.

- The carriage moves to the maintenance space.

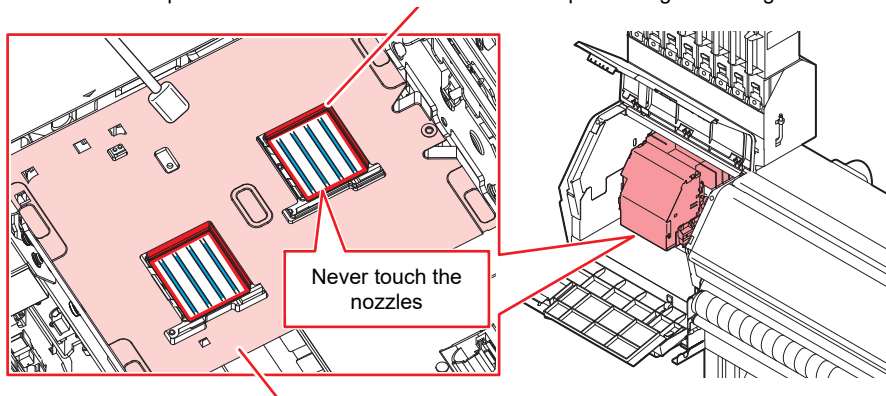
#### 3 Open the maintenance cover on the left side.



#### 4 Clean around the print head.

- Wipe off any ink and dust adhering using a cleaning stick moistened with maintenance liquid. Wipe off the maintenance liquid. Make sure none remains.

Clean the print head sides and all around the nozzle plate using a cleaning stick.



Clean using a cleaning stick or soft cloth.



- Never touch the print head nozzles (areas indicated in blue in the diagram).

#### 5 Once cleaning is complete, close the cover, then press the [ENTER] key.

### Wiper Cleaning

The wiper wipes off ink adhering to the print head nozzle surface. Continuing to use with a dirty wiper will cause dried ink and attached dust to rub against the head nozzle surface, and lead to ejection failures (e.g., nozzle clogging or deflection).



- Be careful to avoid leaving fragments from the cleaning stick behind when cleaning. These fragments will increase the risk of ejection failures (e.g., nozzle clogging or deflection).

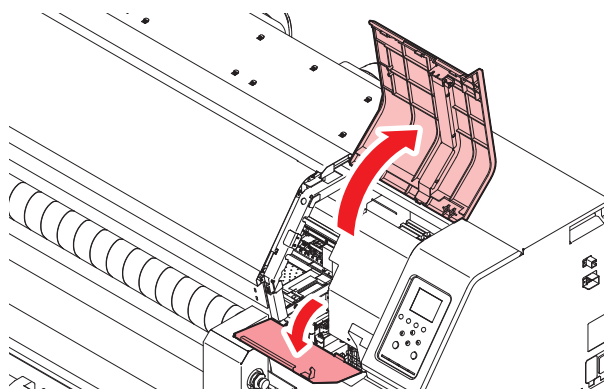
#### 1 On the LOCAL mode screen, select [MENU] > [Maintenance], then press the [ENTER] key.

- The Maintenance menu is displayed.

#### 2 Select [Station Maint.] > [Carriage Out] > [Move To Platen Right End], then press the [ENTER] key.

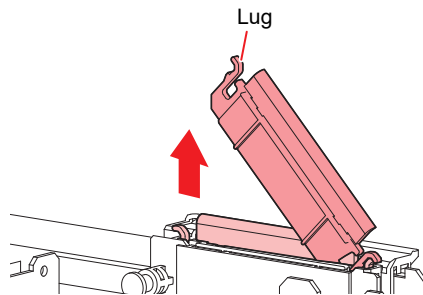
- The carriage moves over the platen.

#### 3 Open the maintenance cover on the right side.



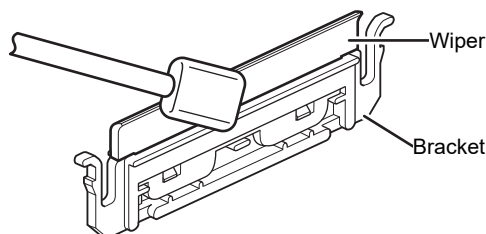
#### 4 Remove the wiper.

- Hold the lug at the rear of the wiper bracket, then pull out the wiper.



#### 5 Clean the wiper and bracket.

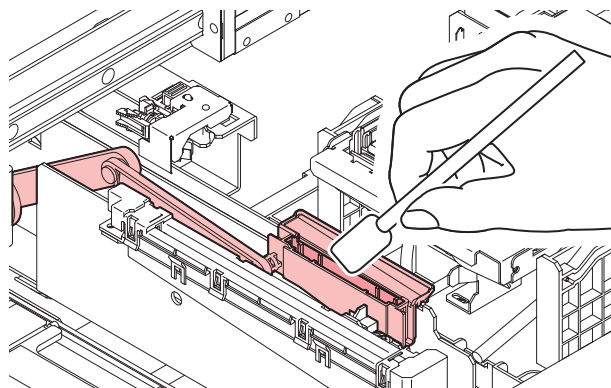
- Wipe off any ink and dust adhering using a cleaning stick moistened with maintenance liquid. Wipe off the maintenance liquid. Make sure none remains.



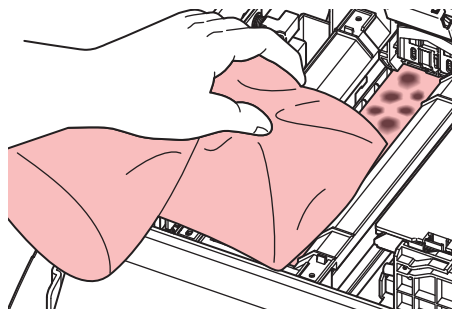
- Replace dirty or warped wipers with new ones. Wiper Replacement

#### 6 Clean the wiper slider.

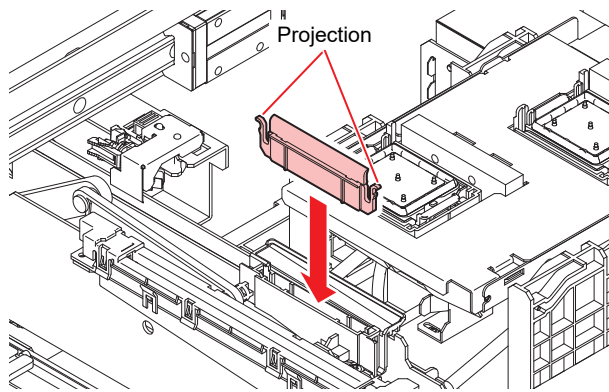
- Wipe off any ink and dust adhering using a cleaning stick moistened with maintenance liquid. Wipe off the maintenance liquid. Make sure none remains.



- If there is a lot of ink in the pad case, use absorbent paper or the like to absorb it.



## 7 Reattach the wiper at the original position.



## 8 Once cleaning is complete, close the cover, then press the [ENTER] key.

### NCU Cleaning

The NCU uses a sensor to monitor the ink droplets ejected from the print head nozzles. Continuing to use the dirty NCU may prevent the nozzle check function from operating correctly.



- Be careful to avoid leaving fragments from the cleaning stick behind when cleaning. These fragments will increase the risk of ejection failures (e.g., nozzle clogging or deflection).

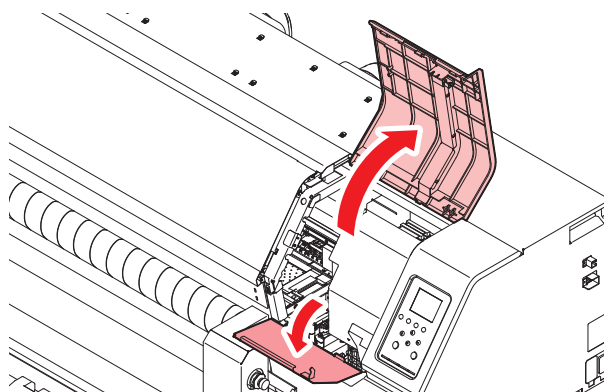
### 1 On the LOCAL mode screen, select [MENU] > [Maintenance], then press the [ENTER] key.

- The Maintenance menu is displayed.

### 2 Select [Station Maint.] > [Carriage Out] > [Move To Platen Right End], then press the [ENTER] key.

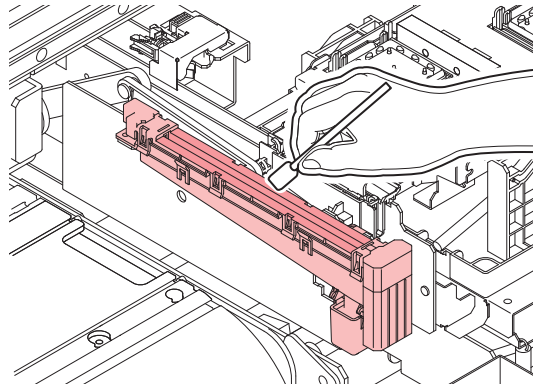
- The carriage moves over the platen.

### 3 Open the maintenance cover on the right side.

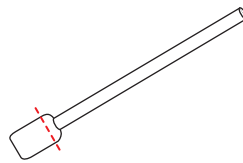


## 4 Clean the NCU.

- Wipe off any ink and dust adhering using a cleaning stick moistened with maintenance liquid. Wipe off the maintenance liquid. Make sure none remains.



- Insert the cleaning stick as far as the line shown in the illustration.

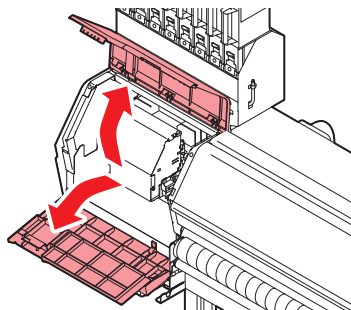


## 5 Once cleaning is complete, close the cover, then press the [ENTER] key.

### DAS (Automatic Correction Function) Sensor Cleaning

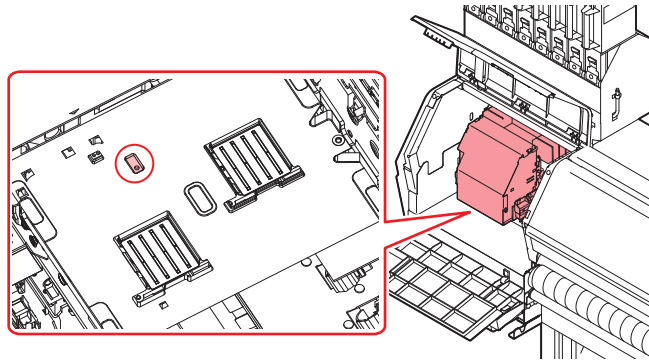
The DAS sensor is located on the carriage underside. If dust or debris accumulates on the sensor, DAS (Media Setting Menu) may not function.

- 1 On the LOCAL mode screen, select [MENU] > [Maintenance], then press the [ENTER] key.
  - The Maintenance menu is displayed.
- 2 Select [Station Maint.] > [Carriage Out] > [Move To Maint. Space], then press the [ENTER] key.
  - The carriage moves to the maintenance space.
- 3 Open the maintenance cover on the left side.



### 4 Clean the DAS sensor.

- Wipe clean using cotton swabs or a soft cloth.

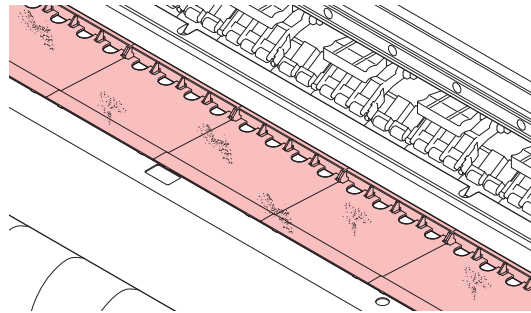


- For heavy soiling, wipe using a soft cloth soaked in diluted neutral detergent and thoroughly wrung out.

### 5 Once cleaning is complete, close the cover, then press the [ENTER] key.

## Ink-Receiving Pan Spacer Cleaning

Remove the spacers and wash them to remove any ink adhering to the ink-receiving pan spacers, for example when replacing the media.



- Be careful to prevent liquids from getting inside the machine. Otherwise there is a risk of failure, electric shock, or fire.
- **Do not pour water directly over the ink-receiving pan spacers while they are mounted on the machine.**

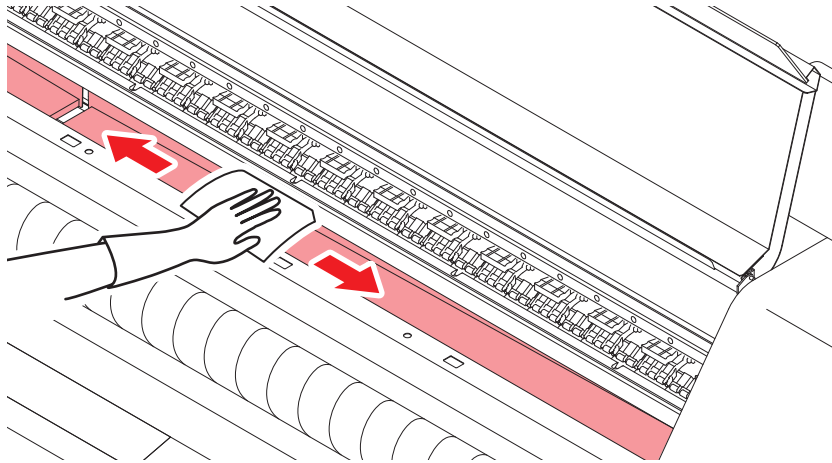


- For heavy soiling, remove the ink-receiving pan spacers, then wipe using a soft cloth soaked in diluted neutral detergent and thoroughly wrung out.



- Do not use organic solvents such as acetone and IPA. Doing so may damage the machine.

## Ink Slope Cleaning



- Be careful to prevent liquids from getting inside the machine. Otherwise there is a risk of failure, electric shock, or fire.
- **Do not pour water directly over the ink slope.**



- For heavy soiling, wipe using a soft cloth soaked in diluted neutral detergent and thoroughly wrung out.



- Do not use organic solvents such as acetone and IPA. Doing so may damage the machine.

## Ink Discharge Channel Cleaning

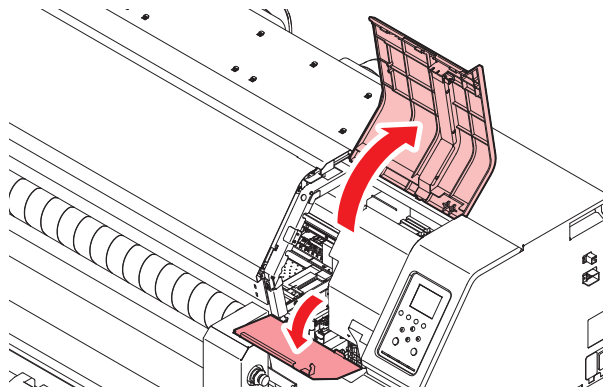
Clean the ink discharge channel regularly to prevent clogging of the ink discharge channel below the cap.

- 1 On the **LOCAL** mode screen, select **[MENU] > [Maintenance]**, then press the **[ENTER]** key.
  - The Maintenance menu is displayed.
- 2 Select **[Station Maint.] > [Pump tube cleaning]**, then press the **[ENTER]** key.
  - The cap is filled with maintenance liquid.



- Close the cover. The cap cannot be filled with maintenance liquid while the cover is open. This is also true if the maintenance liquid cartridge is empty.

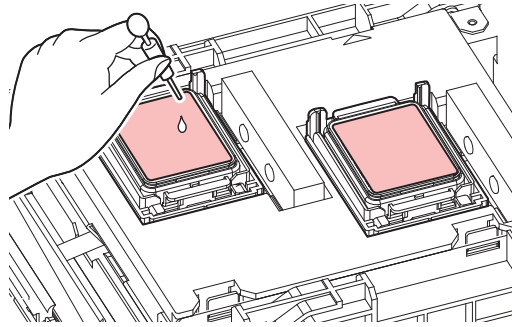
- 3 Open the maintenance cover on the right side.



- Check to confirm that approximately half a capful of maintenance liquid remains.



- If not, use a syringe to draw up some maintenance liquid and drip in approximately half a capful.



- Check to confirm that there is approximately half a capful of maintenance liquid inside.



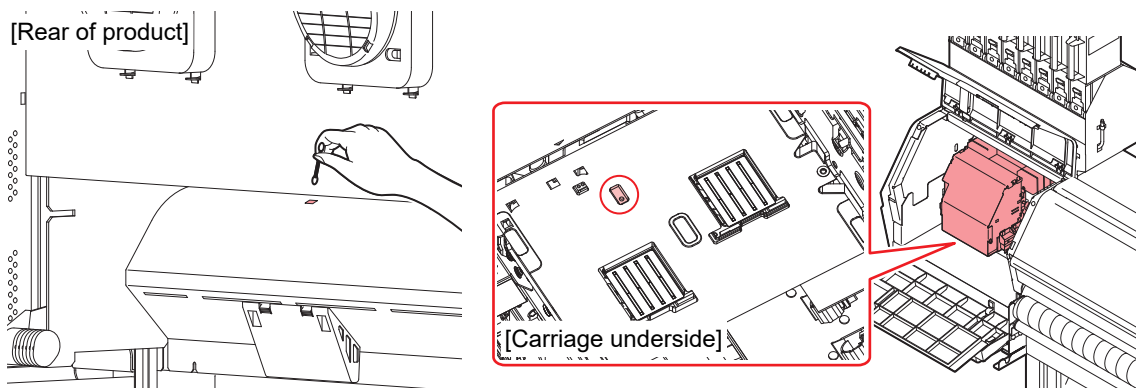
- If not, use a syringe to draw up some maintenance liquid and drip in approximately half a capful.

### 4 Close the maintenance cover, then press the [ENTER] key.

- Pump tube (ink discharge channel below the cap) washing starts.

## Media Sensor Cleaning

Media sensors are located on the rear pre covers (2 locations) and carriage underside. The media cannot be detected correctly if dust or debris accumulates on the sensors. Remove any debris using cotton swabs or a soft cloth.

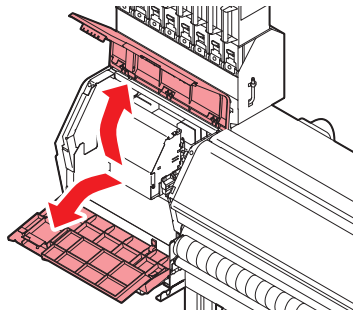


### ● Cleaning the carriage underside sensor

- 1 On the LOCAL mode screen, select [MENU] > [Maintenance], then press the [ENTER] key.
  - The Maintenance menu is displayed.
- 2 Select [Station Maint.] > [Carriage Out] > [Move To Maint. Space], then press the [ENTER] key.
  - The carriage moves to the maintenance space.



### 3 Open the maintenance cover on the left side.

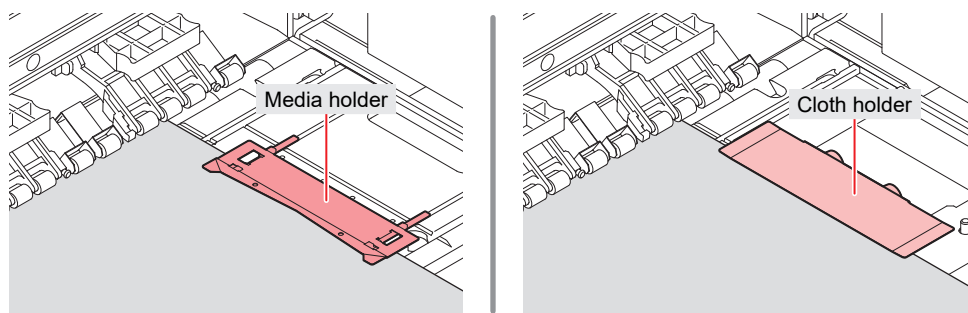


### 4 Clean the media sensor.

### 5 Once cleaning is complete, close the cover, then press the [ENTER] key.

## Media Holder and Cloth Holder Cleaning

Continuing to use the dirty platen will prevent proper feeding of the media. It will also cause dried ink and attached dust to rub against the head nozzle surface and lead to ejection failures (e.g., nozzle clogging or deflection).



- Turn off the main power supply and unplug the power cable before carrying out maintenance.



- Be careful to prevent liquids from getting inside the machine. Otherwise there is a risk of failure, electric shock, or fire.



- For heavy soiling, wipe using a soft cloth soaked in diluted neutral detergent and thoroughly wrung out.

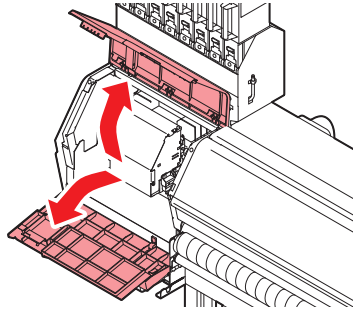


- Do not use organic solvents such as acetone and IPA. Doing so may damage the machine.

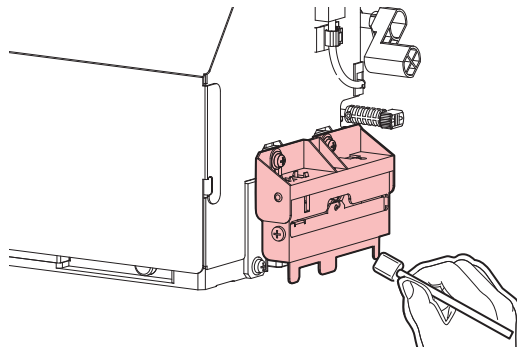
## Jam Sensor Detecting Plate Cleaning

Continuing to use the dirty carriage underside will rub dried ink and attached dust on to the media, resulting in contaminated prints.

- 1** On the LOCAL mode screen, select [MENU] > [Maintenance], then press the [ENTER] key.
  - The Maintenance menu is displayed.
- 2** Select [Station Maint.] > [Carriage Out] > [Move To Maint. Space], then press the [ENTER] key.
  - The carriage moves to the maintenance space.
- 3** Open the maintenance cover on the left side.



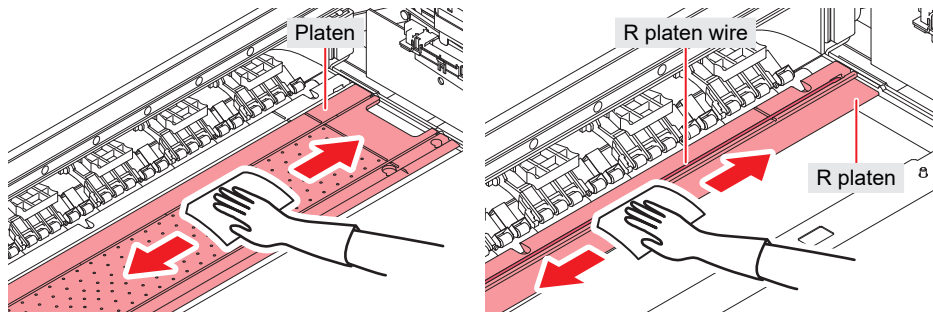
- 4** Clean the jam sensor detecting plate.
  - Clean the jam sensor detecting plate underside at the left and right sides of the carriage.
  - Wipe off any ink and dust adhering using a cleaning stick moistened with maintenance liquid. Wipe off the maintenance liquid. Make sure none remains.



- 5** Once cleaning is complete, close the cover, then press the [ENTER] key.

## Platen and Platen Wire Cleaning

Continuing to use the dirty platen will prevent proper feeding of the media. It will also cause dried ink and attached dust to rub against the head nozzle surface and lead to ejection failures (e.g., nozzle clogging or deflection).



- Turn off the main power supply and unplug the power cable before carrying out maintenance.



- Be careful to prevent liquids from getting inside the machine. Otherwise there is a risk of failure, electric shock, or fire.
- **Do not pour water directly over the platens.**



- The grooves in which the media holder slides and the media is cut are susceptible to dust accumulation. Remove any debris carefully.



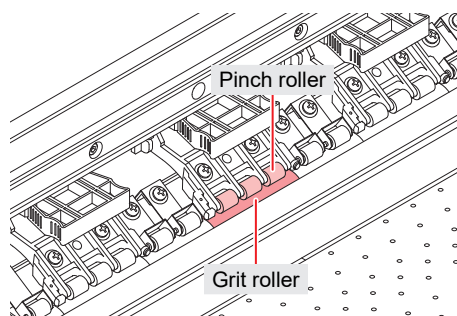
- For heavy soiling, wipe using a soft cloth soaked in diluted neutral detergent and thoroughly wrung out.



- Do not use organic solvents such as acetone and IPA. Doing so may damage the machine.

## Pinch Roller and Grit Roller Cleaning

Continuing to use the dirty platen will prevent proper feeding of the media. It will also cause dried ink and attached dust to rub against the head nozzle surface and lead to ejection failures (e.g., nozzle clogging or deflection).



- Turn off the main power supply and unplug the power cable before carrying out maintenance.



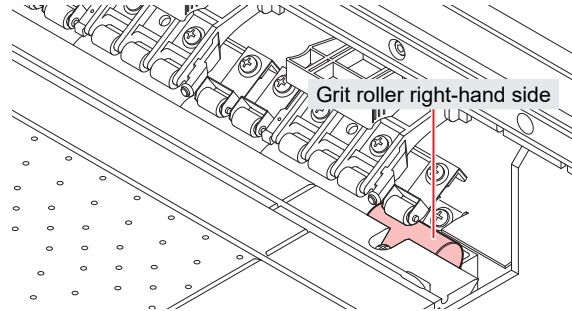
- Be careful to prevent liquids from getting inside the machine. Otherwise there is a risk of failure, electric shock, or fire.



- Do not use organic solvents such as acetone and IPA. Doing so may damage the machine.

### ● For grit rollers

- 1 Open the front cover.
- 2 Raise the clamp lever.
- 3 Remove any dirt from the grit rollers by gently brushing several times with a plastic brush.
  - Brush the entire circumference by rotating the right-hand side of the grit rollers with your fingers.



- Wipe the ends of the dirt brush clean with a dry cloth.
- If the dirt resists removal, wet the brush with water.

#### Important!

- Be sure to use a plastic brush to clean the grit rollers. Wiping with cloth or paper towels will result in fibers catching and adhering to the rough surfaces. Using a wire brush will damage the grit rollers and prevent correct feeding.
- After brushing with water, feed a piece of scrap media through to remove any moisture.

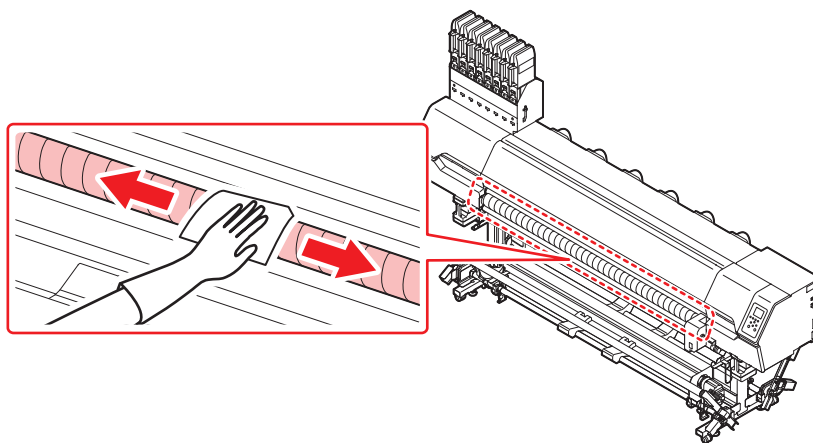
### ● For pinch rollers

Use a cloth to remove any ink or other dirt from the pinch roller surfaces.



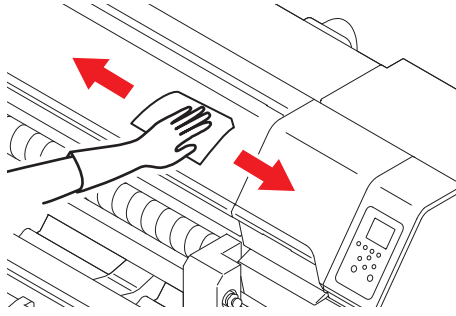
- For heavy soiling, wipe using a soft cloth soaked in diluted neutral detergent and thoroughly wrung out.

## Tension Roller Cleaning



- For heavy soiling, wipe using a soft cloth soaked in diluted neutral detergent and thoroughly wrung out.

## Cover (Exterior) Cleaning



- Be careful to prevent liquids from getting inside the machine. Otherwise there is a risk of failure, electric shock, or fire.



- For heavy soiling, wipe using a soft cloth soaked in diluted neutral detergent and thoroughly wrung out.

## When this Printer is Left Unused for a Long Time

Clean as follows if the product is not used for one week or longer:

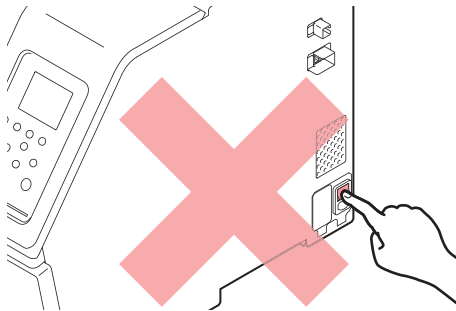
### Check beforehand

Is [Near End] or [Ink End] displayed?

- Maintenance liquid and ink is aspirated during the washing operation. Washing is not possible if an error occurs during this process. Replace with new ink.



- Do not turn off the main power supply. Turning off the main power supply will disable the automatic maintenance function (including nozzle clogging prevention function and ink discharge channel cleaning function). This increases the risk of ejection failures (such as nozzle clogging or deflection).



- Do not leave media loaded on the platen. This may leave irregularities or ripples in the media.



When the machine is not in use, raise the clamp lever to **separate the pinch rollers from the grit rollers**.

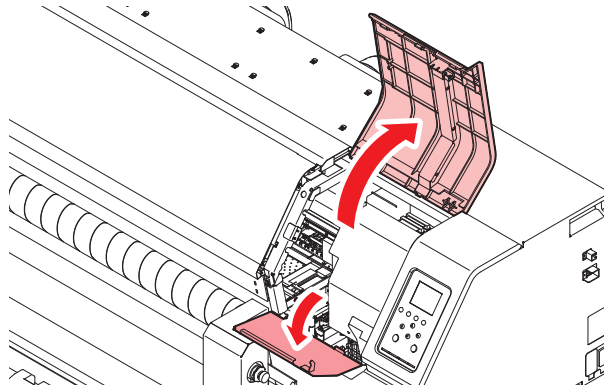
- Leaving the pinch rollers lowered may cause them to become deformed and prevent media from being fed correctly.
- Leaving media loaded will subject it to force from the pinch rollers, which may leave pinch roller marks on it.




- If Check Waste Ink is displayed, dispose of ink in the waste ink tanks on the left and right of the machine.

 ["Waste Ink Tank Replacement"\(P. 40\)](#)

- 1 On the LOCAL mode screen, select [MENU] > [Maintenance], then press the [ENTER] key.**
  - The Maintenance menu is displayed.
- 2 Select [Station Maint.] > [Custody Wash], then press the [ENTER] key.**
  - The carriage moves over the platen.
- 3 Open the maintenance cover on the right side.**



- 4 Clean the cap rubber.**
  -  ["Cap Rubber Cleaning"\(P. 8\)](#)
- 5 Once cleaning is complete, close the cover, then press the [ENTER] key.**
  - The cap is filled with maintenance liquid.

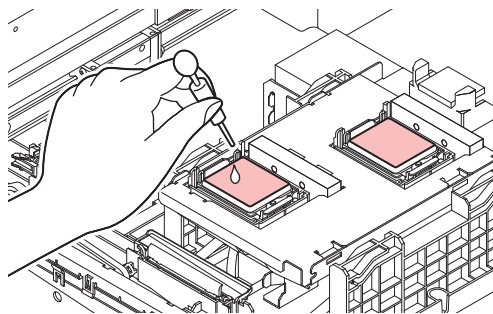


- Close the cover. The cap cannot be filled with maintenance liquid while the cover is open. This is also true if the maintenance liquid cartridge is empty.

- 6 Open the maintenance cover on the right side.**
  - Check to confirm that the cap is filled with maintenance liquid.



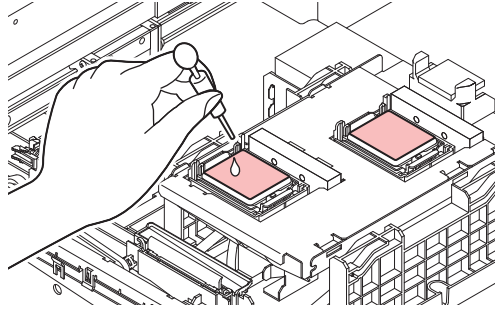
- If not, use a syringe to draw up some maintenance liquid and fill until it almost overflows from the cap.



- 7 Close the maintenance covers.**
- 8 Set the exposure time, then press the [ENTER] key.**
  - Cleaning is performed automatically once print nozzle washing has ended.
  - The cap is filled with maintenance liquid.
- 9 Open the maintenance cover on the right side.**
  - Check to confirm that there is approximately half a capful of maintenance liquid inside.



- If not, use a syringe to draw up some maintenance liquid and drip in approximately half a capful.



**10** Close the maintenance cover, then press the [ENTER] key.

- Pump tube (ink discharge channel below the cap) washing starts.

# 3. Replacement of Consumable Item

To order replacement consumable items, contact your local dealer or our service office. For more information on consumable items, refer to our website (<https://mimaki.com/supply/inkjet.html>).



- Do not store consumable items in locations where children may enter.



- When disposing of consumable items, contact an industrial waste disposal operator or dispose of the product in accordance with the local laws and regulations.

## Consumable Item Replacement Timing

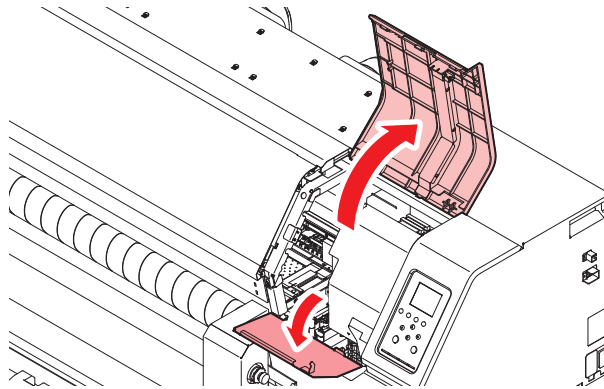
Timing	Item
When dirty	<ul style="list-style-type: none"> <li> "Replacing the Absorber Around the Station"(P. 30)</li> <li> "Wiper Replacement"(P. 25)</li> <li> "Exhaust Fan Filter Replacement"(P. 32)</li> <li> "Blowing Fan Filter Replacement"(P. 32)</li> </ul>
When ejection failures cannot be remedied	<ul style="list-style-type: none"> <li> "Cap Replacement"(P. 28)</li> <li> "Wiper Replacement"(P. 25)</li> </ul>
When damaged	<ul style="list-style-type: none"> <li> "Wiper Replacement"(P. 25)</li> <li> "Cap Replacement"(P. 28)</li> <li> "Pinch Roller Replacement"(P. 33)</li> <li> "Media Holder and Cloth Holder Replacement"(P. 35)</li> </ul>
When replacing ink	<ul style="list-style-type: none"> <li> "Ink Supply Unit Ink Absorber Replacement"(P. 39)</li> </ul>
When "Replace Wiper" appears on the display	<ul style="list-style-type: none"> <li> "Wiper Replacement"(P. 25)</li> </ul>
When "Check Waste Ink Tank" appears on the display	<ul style="list-style-type: none"> <li> "Waste Ink Tank Replacement"(P. 40)</li> </ul>
Once a year	<ul style="list-style-type: none"> <li> "Wiper Cleaner Replacement"(P. 26)</li> </ul>



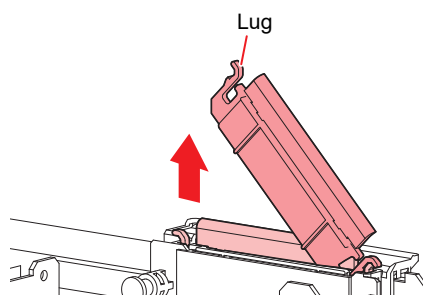
## Wiper Replacement

The machine maintains a count of the number of wiping cycles. The "Replace Wiper" message appears when a preset count is reached. Replace dirty or warped wipers with new ones.

- 1** "Replace Wiper" appears on the display.
- 2** On the LOCAL mode screen, select [MENU] > [Maintenance], then press the [ENTER] key.
  - The Maintenance menu is displayed.
- 3** Select [Station Maint.] > [Replace Wiper], then press the [ENTER] key.
  - The carriage moves over the platen.
- 4** Open the maintenance cover on the right side.

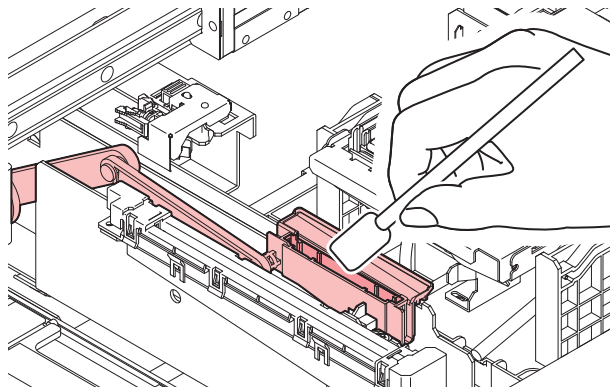


- 5** Remove the wiper.
  - Hold the lug at the rear of the wiper bracket, then pull out the wiper.

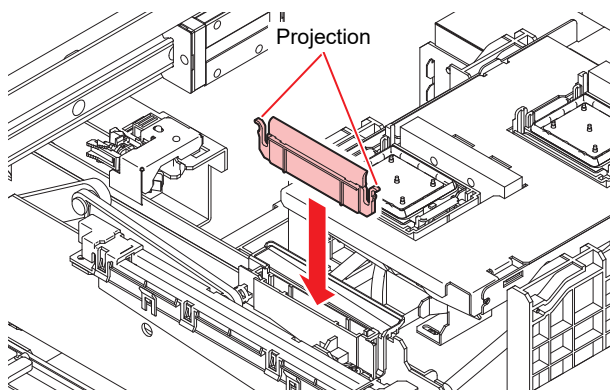


#### 6 Clean the wiper slider.

- Wipe off any ink and dust adhering using a cleaning stick moistened with maintenance liquid. Wipe off the maintenance liquid. Make sure none remains.



#### 7 Mount a new wiper.



#### 8 Once replacement is complete, close the cover, then press the [ENTER] key.

- The wiper usage count is reset.

## Wiper Cleaner Replacement

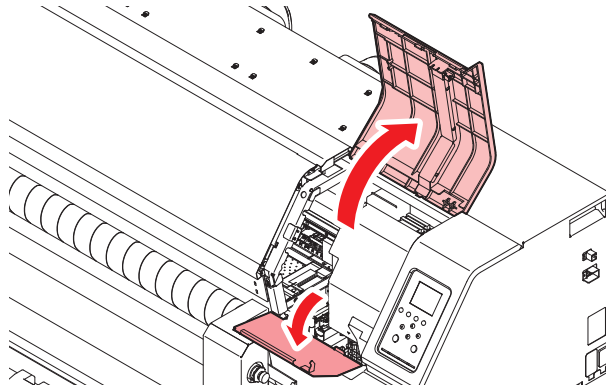
Replace with a new wiper cleaner (SPC-0243) once a year.

#### 1 On the LOCAL mode screen, select [MENU] > [Maintenance], then press the [ENTER] key.

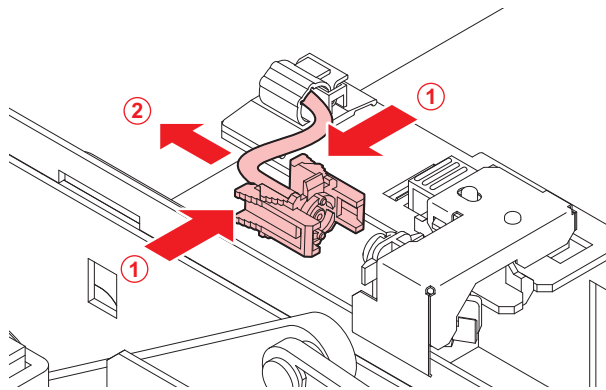
- The Maintenance menu is displayed.

#### 2 Select [Station Maint.] > [Carriage Out] > [Move To Platen Right End], then press the [ENTER] key.

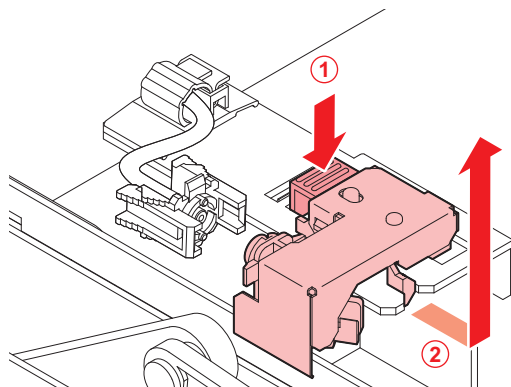
- The carriage moves over the platen.

**3** Open the maintenance cover on the right side.**4** Remove the fitting.

- Hold the lugs on the fitting, then pull off.
- Take care to avoid losing the rubber seal.

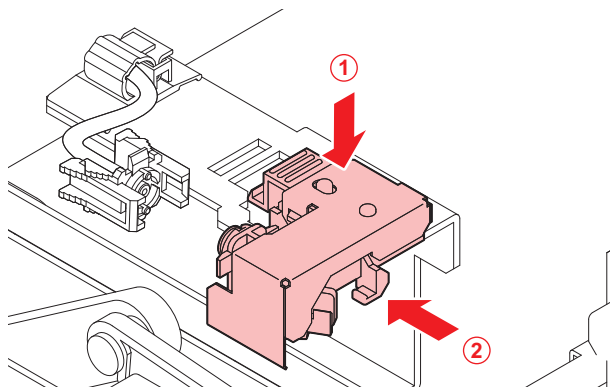
**5** Remove the wiper cleaner.

- Slide forward to remove.



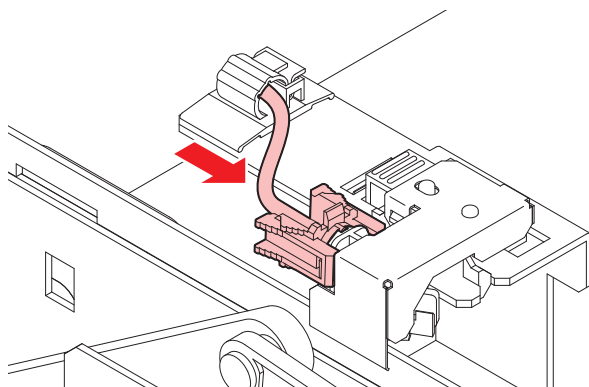
#### 6 Mount a new wiper cleaner.

- Slide to the rear to attach it.



#### 7 Reattach the fitting.

- Improper attachment may result in leaking maintenance solution.



#### 8 Once replacement is complete, close the cover, then press the [ENTER] key.

## Cap Replacement

If ejection failures (e.g., nozzle clogging or deflection) remain unresolved even after cleaning, replace with a new cap.



- Be sure to replace the cap if you observe any scratches or other damage on the rim.



- When using Sb or TP ink for extended periods, the cap surface is susceptible to drying out, which can lead to path clogging. If this occurs, either replace the cap or remove and wash it.



- We recommend replacing the cap every six to twelve months.  
(TP ink: every six months, other ink: every twelve months)

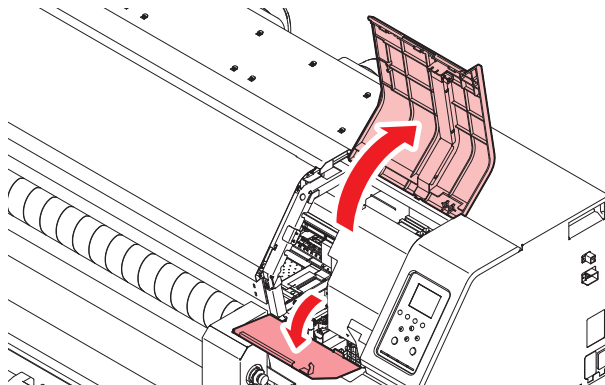
#### 1 On the LOCAL mode screen, select [MENU] > [Maintenance], then press the [ENTER] key.

- The Maintenance menu is displayed.

**2** Select [Station Maint.] > [Replace Cap], then press the [ENTER] key.

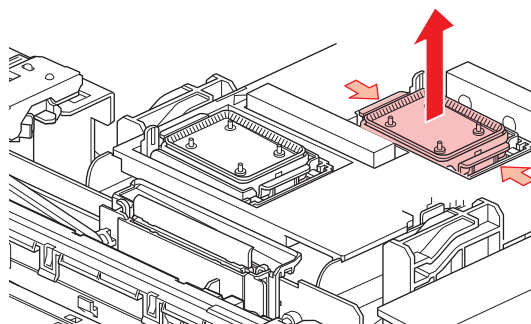
- The carriage moves over the platen.

**3** Open the maintenance cover on the right side.

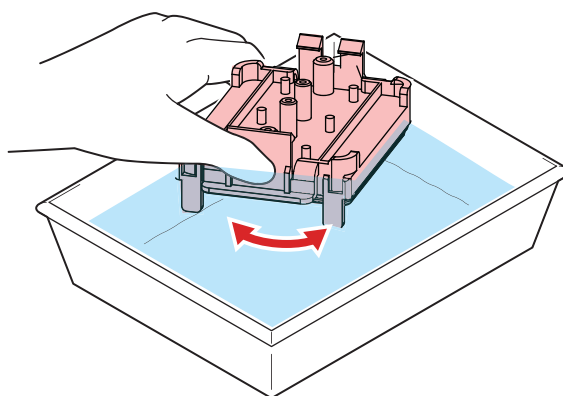


**4** Remove the cap.

- Squeeze the lugs on either side of the cap and pull off.



**5** [When using Sb ink and TP ink] Rinse the cap with the mesh side facing downward in a container filled with maintenance liquid. Remove, then wipe clean the resin part thoroughly.

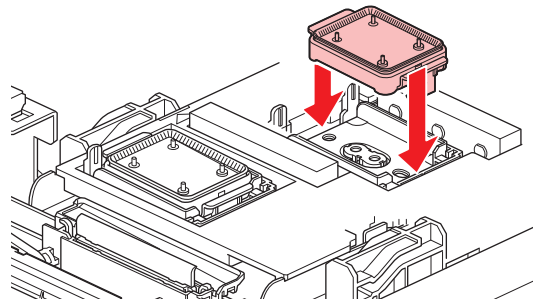


**6** Apply maintenance liquid.

- Use a syringe to apply two or three drops of maintenance liquid to the hole at the front.

#### 7 Mount a new cap or a cap that has been washed.

- Position with the slot at the front and push in until it clicks.



#### 8 Once replacement is complete, close the cover, then press the [ENTER] key.

## Replacing the Absorber Around the Station

If the cap absorber or maintenance liquid absorber is very dirty or if ink drips on to the media, replace with a new cap absorber.

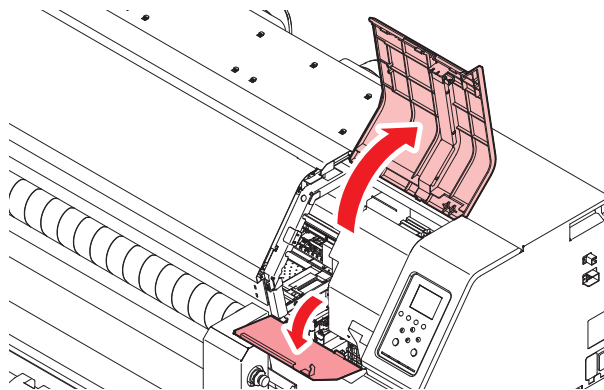
#### 1 On the LOCAL mode screen, select [MENU] > [Maintenance], then press the [ENTER] key.

- The Maintenance menu is displayed.

#### 2 Select [Station Maint.] > [Carriage Out] > [Move To Platen Right End], then press the [ENTER] key.

- The carriage moves over the platen.

#### 3 Open the maintenance cover on the right side.



#### 4 Remove the cap absorber.



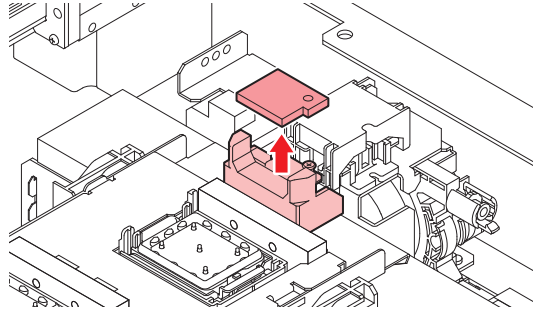
- Avoid ink dripping when removing the cap absorbers.

#### 5 Mount a new cap absorber.

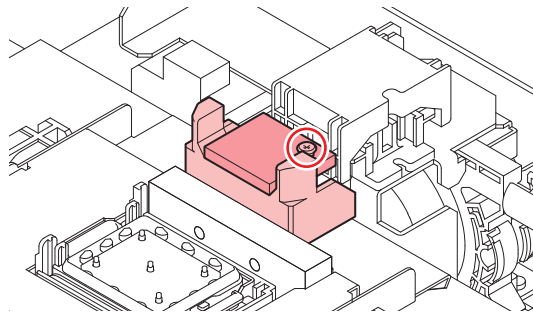
- Insert the tabs on the plate into the slits in the cap absorber.



- Check to confirm that the cap absorber does not become detached.

**6** Remove the maintenance liquid absorber.**7** Wipe away any maintenance liquid from around the slider block.**8** Mount a new maintenance liquid absorber.

- Push firmly on to the protrusion.

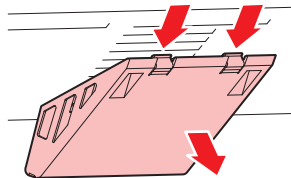
**9** Check to confirm that the absorber is not lifting or curved.**10** Once replacement is complete, close the cover, then press the [ENTER] key.

## Exhaust Fan Filter Replacement

Check the exhaust fan filter condition. Replace if very dirty.

### 1 Remove the exhaust fan box.

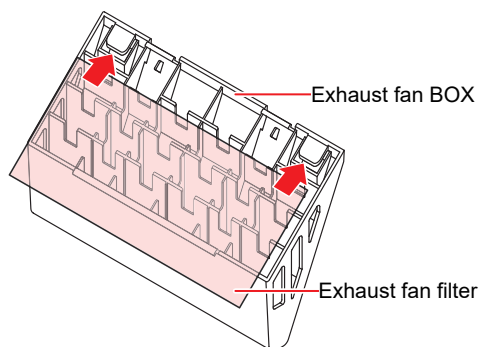
- Push the tabs at the front to remove the exhaust fan box.



- Replace the very dirty exhaust fan box with new one.

### 2 Mount a new exhaust fan filter in the exhaust fan box.

- Press the exhaust fan filter into the space under the tabs of the exhaust fan box.



### 3 Mount the exhaust fan box.

- Insert the tabs of the exhaust fan box into the slits of the machine, and clip in the tabs at the front.

## Blowing Fan Filter Replacement

Replace the blowing fan filter if it is dirty.



If sublimation transfer ink is used

- Replace the filter every three months.

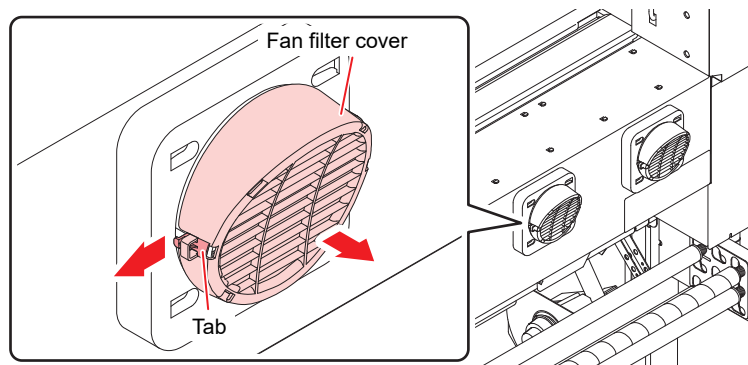
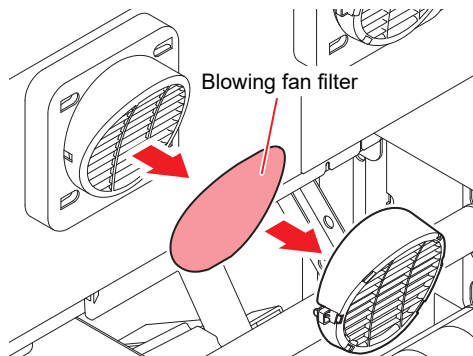


- Turn off the main power and unplug the power cable before replacement.

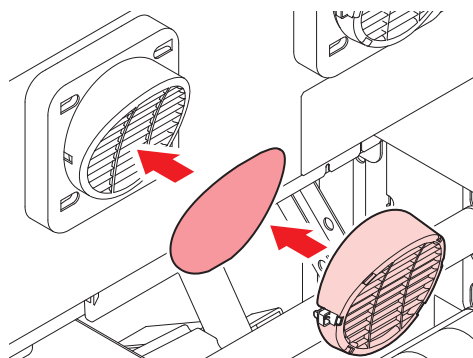


**1 Remove the fan filter cover.**

- Push the fan filter cover claw outward, and pull the cover to the front.

**2 Remove the filter.****3 Mount a new filter and the fan filter cover.**

- Push in the fan filter cover until the tab clicks.



## Pinch Roller Replacement

Replace worn or dirty pinch rollers with new ones.

**Important!** If sublimation transfer ink is used

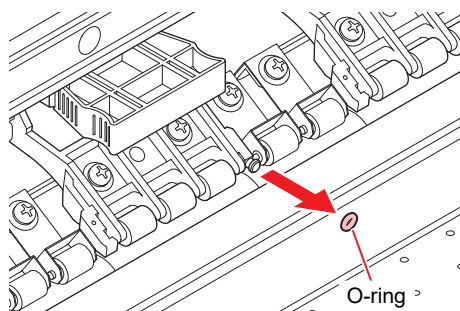
- Replace the pinch rollers every month if used for approximately 12 hours per day.
- Replace the pinch rollers every two weeks if used 24 hours per day.



- Turn off the main power and unplug the power cable before replacement.

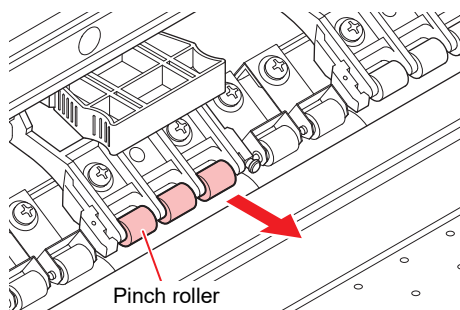
**1 Open the front cover.**

- 2 Raise the clamp lever.
- 3 Remove the O-ring retaining the pinch rollers.



- The pinch rollers are small. Be careful to avoid dropping them into the product interior.

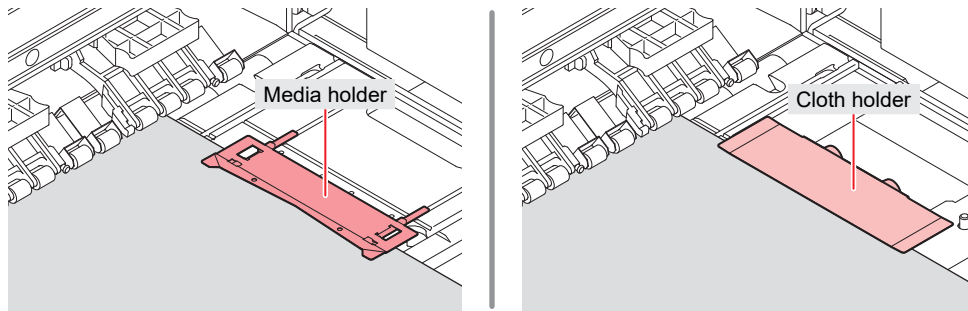
- 4 Remove the pinch rollers or the pinch roller spindle.



- 5 Mount new pinch rollers, and secure them using the O-ring.
- 6 Close the front cover.

## Media Holder and Cloth Holder Replacement

If the media holders or cloth holders become deformed and touch the carriage or print head, replace with new media holders or cloth holders.

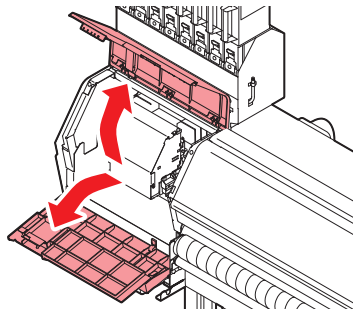


- Turn off the main power and unplug the power cable before replacement.

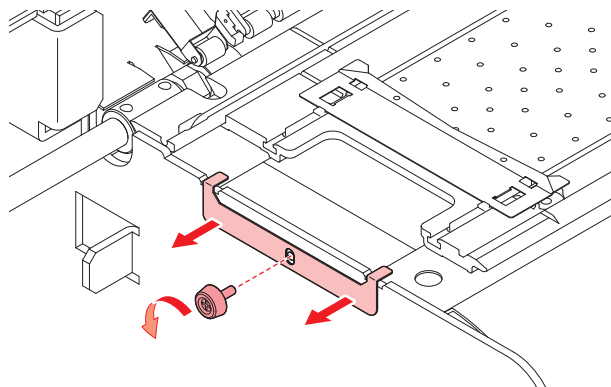
### ● For media holders

This is the procedure for replacing the left-hand media holder. Replace the right-hand media holder in the same way.

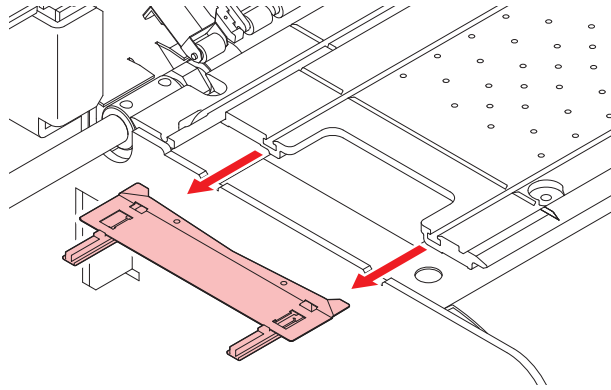
#### 1 Open the maintenance cover on the left side.



#### 2 Remove the side screw, and detach the media holder stopper.

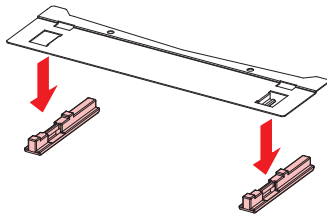


**3** Remove the media holder.



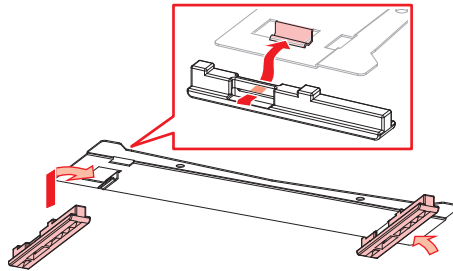
**4** Remove the sliders from the media holder.

- Be careful to avoid misplacing the sliders.

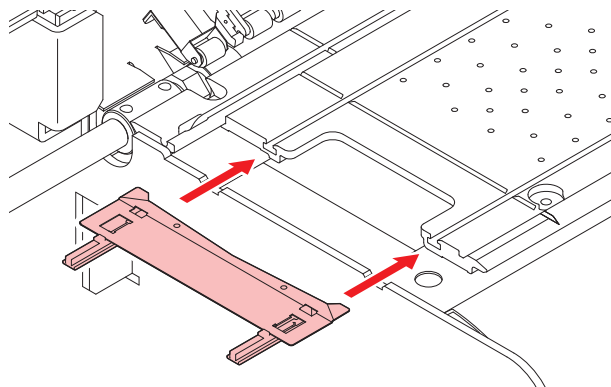


**5** Mount the sliders on to the new media holder.

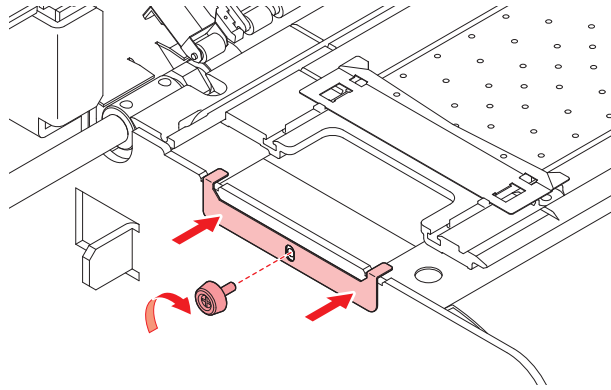
- Engage the holes in the sliders on to the lugs on the media holder.



**6** Mount the new media holder on to the platen.



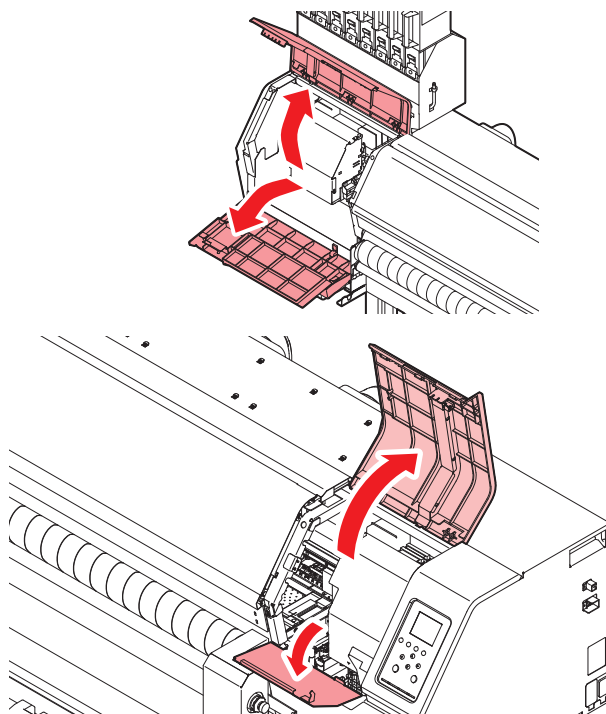
**7** Secure the media holder stopper with the screw.



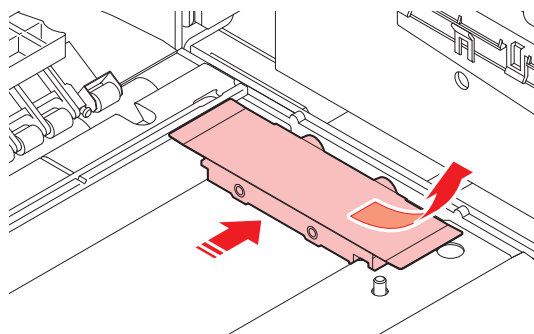
**8** Close the maintenance covers.

- For cloth holders

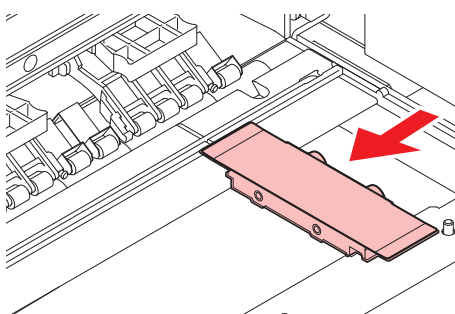
**1** Open the left and right maintenance covers.



**2** Remove the left and right cloth holders.



**3** Mount new cloth holders.



- Note the orientation of the left and right cloth holders. Attach so that the screws are facing outward. Note also that the cloth holders are shaped differently at the front and rear.

**4** Close the maintenance covers.

## Ink Supply Unit Ink Absorber Replacement

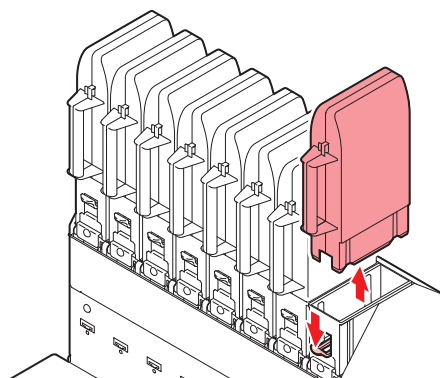
We recommend replacing the ink absorber each time you replace the ink pack, to prevent dirt building up on the pedestal of the ink supply unit.



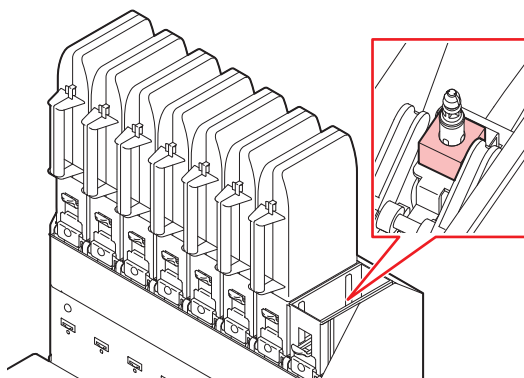
- Pay close attention to ventilation and be sure to wear safety glasses, gloves, and a mask when handling ink, maintenance liquid, waste ink, or other solutions used with the machine. Leaking ink may adhere to the skin or get into the eyes or mouth.



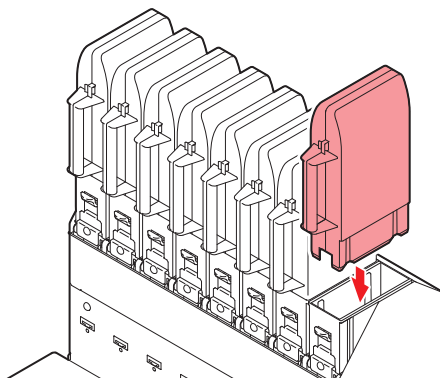
- 1 Push down the lever on the pedestal, and remove the ink Eco-case.**



- 2 Remove the ink absorber, and replace with a new one.**



- 3 Set an eco-case on the base.**



## Waste Ink Tank Replacement

The ink used in printing and head cleaning is stored in the waste ink tanks on the right and left sides of the machine.



- For a 2-liter tank, the preset level is 80 % (1.6 L).
- Continuing to use the product without disposing of the waste ink may result in waste ink overflowing from the waste ink tank. Visually check ink levels in the waste ink tank about once a week.




- Pay close attention to ventilation and be sure to wear safety glasses, gloves, and a mask when handling ink, maintenance liquid, waste ink, or other solutions used with the machine. Leaking ink may adhere to the skin or get into the eyes or mouth.



### When "Check Waste Ink Tank" message appears

- 1 The "Check Waste Ink Tank" message appears on the display.

Check Waste Ink tank Level: xx %
-------------------------------------

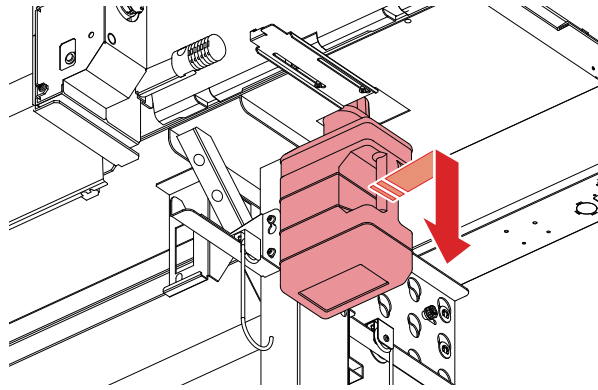
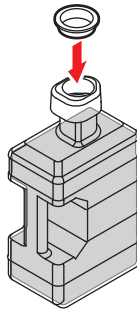
- 2 Check the waste ink levels in the waste ink tank.
  - If you note any discrepancies from actual levels, proceed to the next step.
  - If there is no discrepancy, replace (dispose of) the waste ink tank referring to  ["Replacing the Waste Ink Tank"\(P. 40\)](#).
- 3 On the LOCAL mode screen, select [MENU] > [Maintenance], then press the [ENTER] key.
  - The Maintenance menu is displayed.
- 4 Select [Waste Ink Tank], then press the [ENTER] key.
- 5 Select [Adjust Waste Ink Volume], then press the [ENTER] key.
- 6 Press ▲▼ to adjust the level.
- 7 Press the [ENTER] key once adjustment is complete.

### Replacing the Waste Ink Tank

#### ● Lower-right waste ink tank replacement

- 1 On the LOCAL mode screen, select [MENU] > [Maintenance], then press the [ENTER] key.
  - The Maintenance menu is displayed.
- 2 Select [Waste Ink Tank], then press the [ENTER] key.
- 3 Select [Reset Waste Ink Volume], then press the [ENTER] key.



**4** Hold the handle on the waste ink tank and slide out.**5** Attach the cap to the removed waste ink tank, and use tape to prevent leakage of waste ink.

- When disposing of ink, maintenance liquid or other liquid used with the product, or containers or non-woven fabric contaminated with ink or other liquid, contact an industrial waste disposal operator or dispose of the product in accordance with the local laws and regulations.



## **Care and maintenance**

---

---

March, 2025

**MIMAKI ENGINEERING CO.,LTD.**

2182-3 Shigeno-otsu, Tomi-shi, Nagano 389-0512 JAPAN

---

---

D203880-10-17032025

